



**Bayview Engineering Industries
Articulating Rudders**



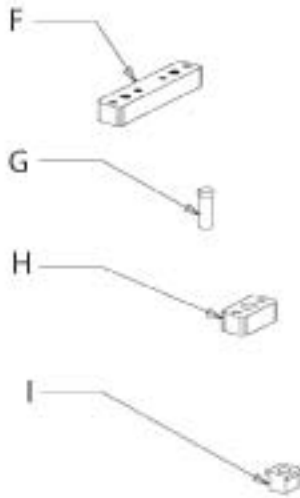
**This Manual is a example
of the installation manual
that you will receive with
your BEI Free-Hanging
Articulating Rudder**

**DO NOT USE FOR ACTUAL
INSTALLATION**



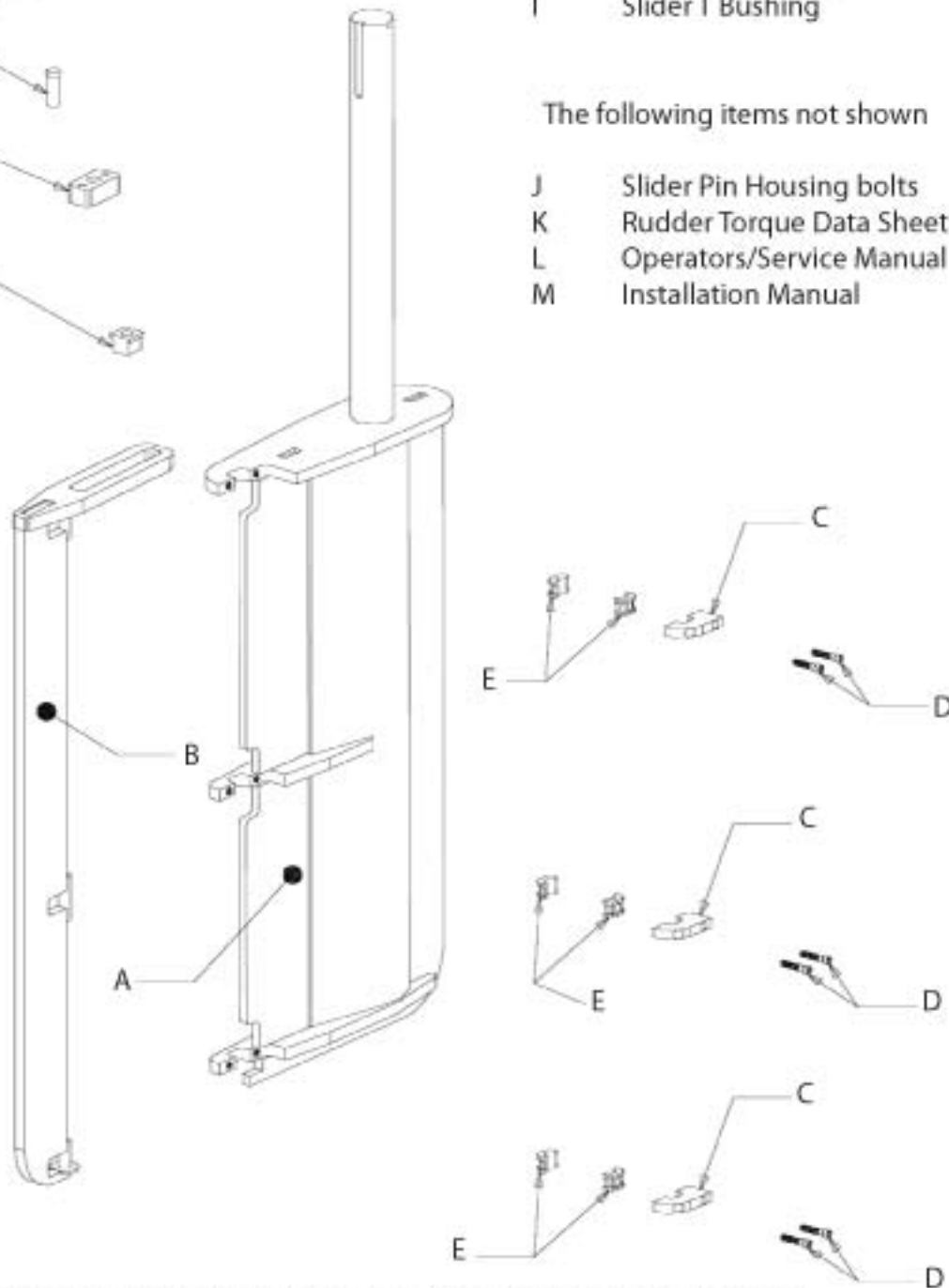
Installation Manual
Free Hanging Modified Foil Rudder

Ref #	Description	Quantity
A	Main Plate Assembly	1
B	Aft Plate Assembly	1
C	Fence Journal Cap	3
D	Journal Cap bolts	6
E	Aft Plate Axle Bushings	6
F	Pin Plate	1
G	Slider Pin	1
H	Slider Pin Housing	1
I	Slider T Bushing	1



The following items not shown

J	Slider Pin Housing bolts	2
K	Rudder Torque Data Sheet	1
L	Operators/Service Manual	1
M	Installation Manual	1

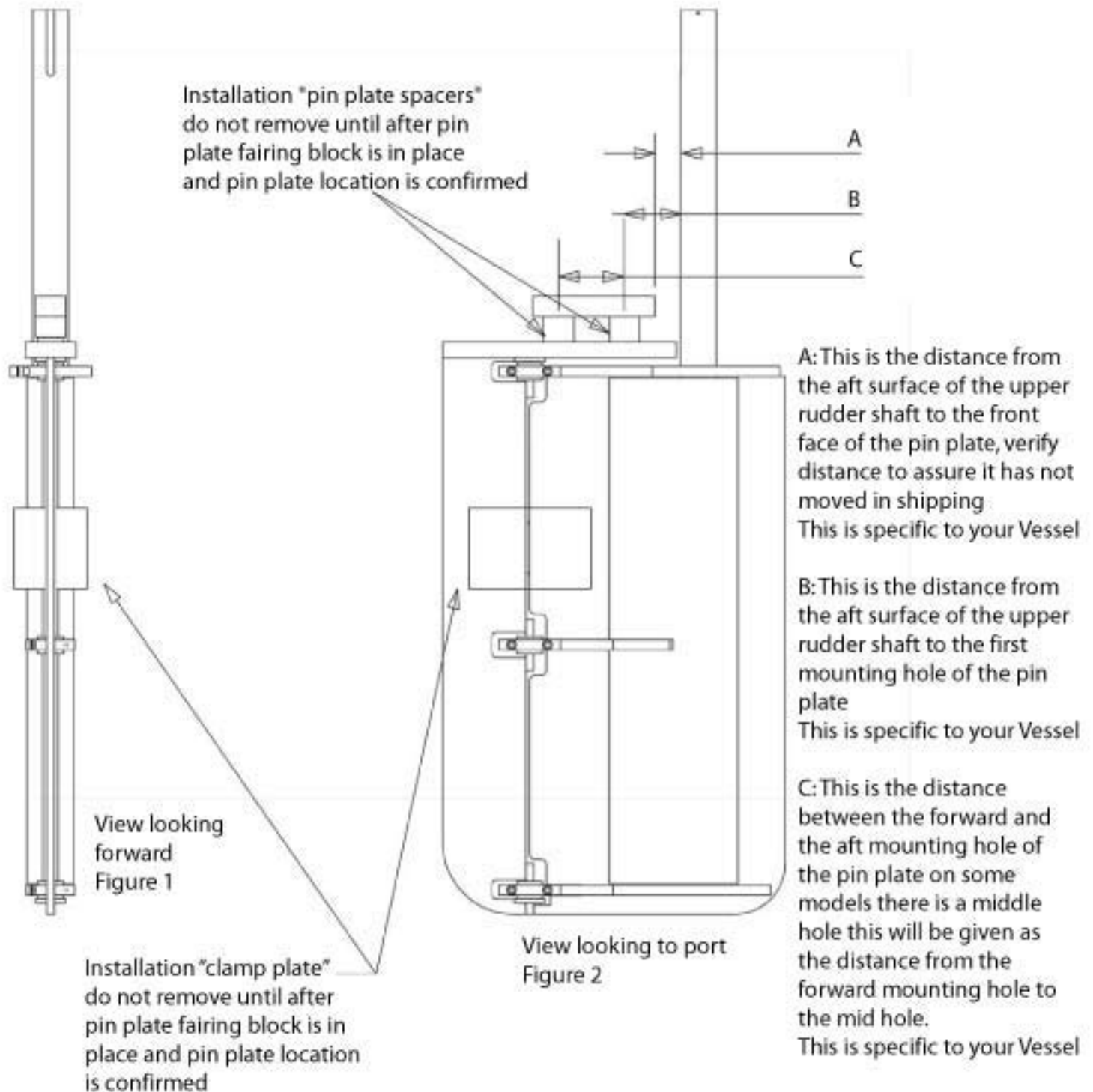


When ordering replacement parts please use REF # and your rudder serial number.



Installation Manual
Free Hanging Modified Foil Rudder

Please familiarize yourself with the part description sheet and installation manual before installing the rudder





Installation Manual
Free Hanging Modified Foil Rudder

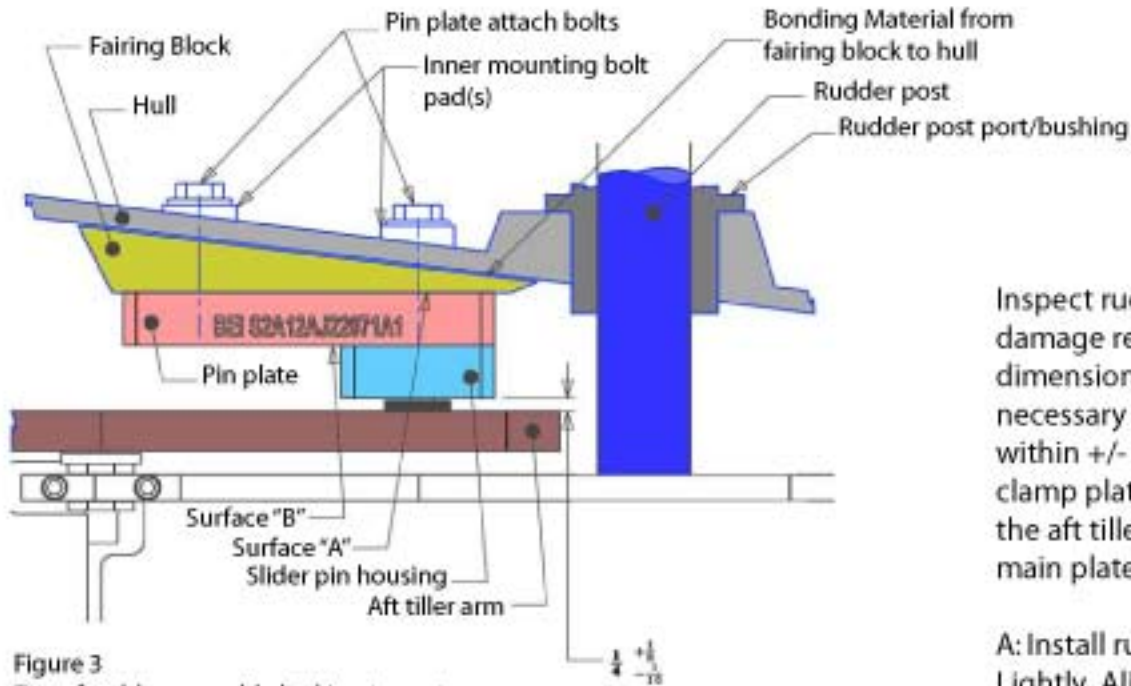
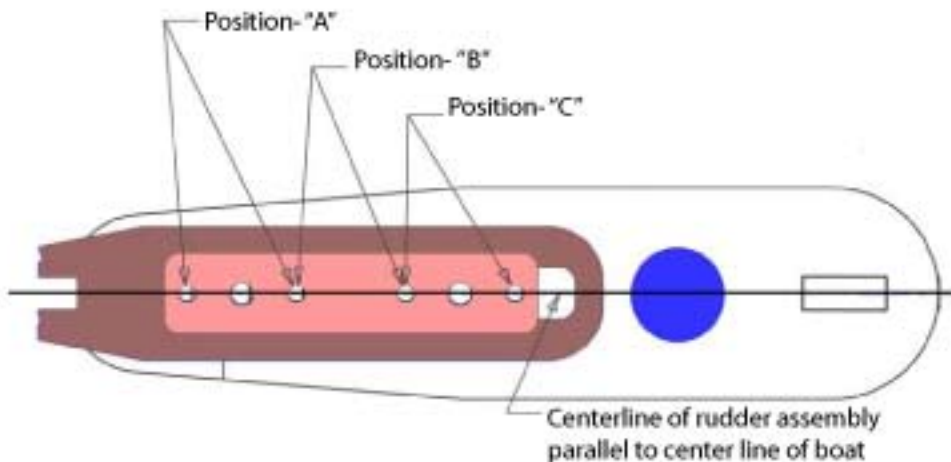


Figure 3
Top of rudder assembly looking to port

Inspect rudder assuring there is no damage related to shipping. Check dimension "A" (figure 2) adjust if necessary dimension should be within +/- 1/16" also make sure clamp plates are secure keeping the aft tiller plate aligned with the main plate assembly.

A: Install rudder assembly and Lightly Align the rudder to the center line of the vessel.

B: Fitting the fairing block to the hull. (use material similar to the hull using only solid material no core, BEI can supply most fairing materials inquire for availability and price) surface "A" figure 3 must be equal or larger and parallel and flat in all directions to the face of the pin plate. Depending on the hull material the method of attachment will vary. It is important the attachment to the hull of the fairing block is of a similar strength as the hull itself. The inner mounting pad(s) must be flat and true to surface of bolt or nut figure 3.





Installation Manual
Free Hanging Modified Foil Rudder

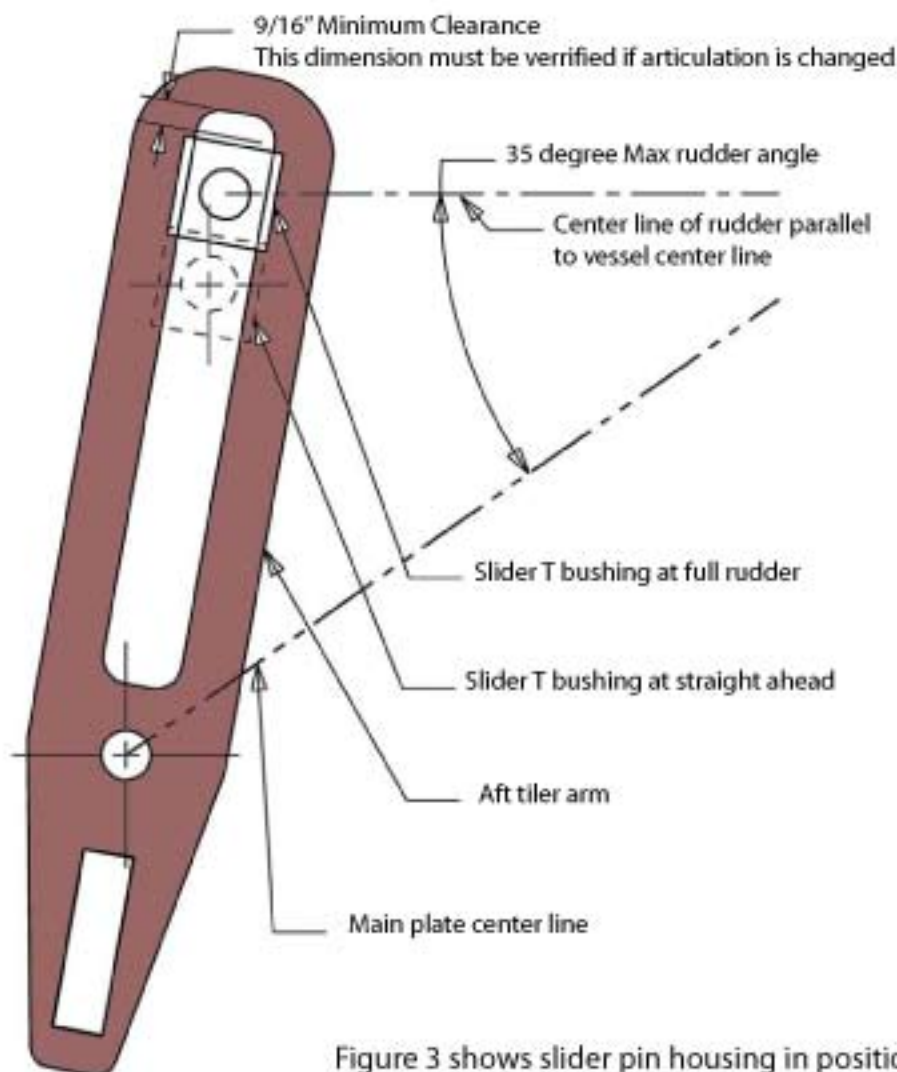


Figure 5

Once the fairing block is secured to the hull mark the pin plate location on the fairing block. Remove the pin plate spacers and swing rudder to the side. Place the pin plate on the fairing block and align to your marks on the fairing block, mark the center location of the attach bolts. Drill clearance holes thru the fairing block and hull making sure the holes are parallel in all directions to the upper rudder shaft. Dry fit pin plate attach bolts to assure proper length, the end of the attach bolts (or all thread studs) must extend to within 1/8" but not past surface "A" figure 3. If using all thread or studs lock-tight in place. Use ample sealant and secure pin plate to vessel.

Figure 3 shows slider pin housing in position "C" this is the least articulation position. We recommend to start out in position "B" or "C". Mount the slider pin housing with the supplied socket head cap screws, when mounting stainless screws to stainless parts always use a lubricant or lock-tight and securely tighten to bolt size specifications.

The "clamp plates" can now be removed and discarded. There are two ways to install the rudder into the slider bushing. If the rudders lower bushing is removable remove the upper rudder shaft bolts remove rudder swing aft plate and with slider T bushing placed in aft tiller arm lift rudder assembly into slider pin and swing main rudder plate into position and tighten. It can also be assembled by removing the aft plate assembly. Remove the 6 journal cap bolts and 3 journal caps. With slider T bushing placed in aft tiller arm, main plate assembly swung to the side, lift aft plate assembly inserting slider T bushing into slider pin. Swing main plate assembly into aft plate and reassemble. After all bolts are tightened the rudder must be turned to the full stops in both directions and checked to assure there is clearance (Figure 5) adjust rudder stops if necessary. It is also necessary to check vertical movement (figure 3 note "E") adjust as necessary.