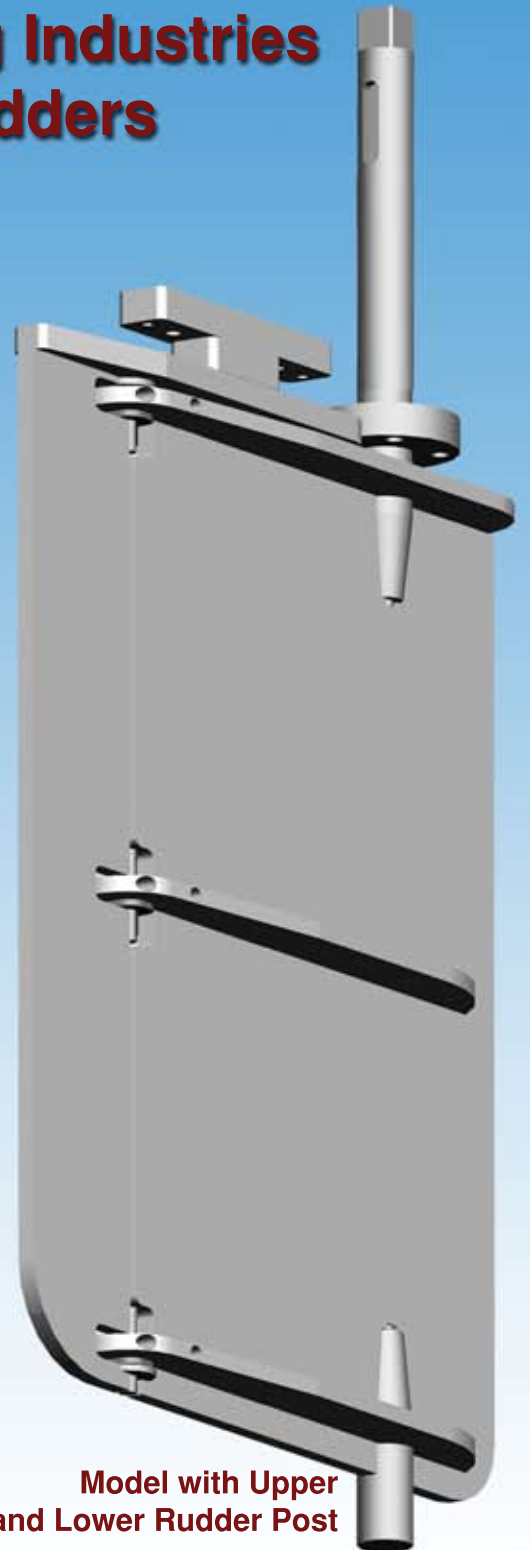




**Bayview Engineering Industries
Articulating Rudders**



**Modified Foil Rudder
Standard on Free
Hanging Models**



**Model with Upper
and Lower Rudder Post**

Krogen 58 Shown with Pin Holder Set for Maximum Articulation

Anatomy of a Bayview Engineering Articulating Rudder



Pin plate is Bolted Through the Hull

Removable Upper Shaft (Depending on Model)

Fairing Block Available at Additional Cost

Pin Plate

Adjustable Pin Holder Shown on Minimum Articulation Setting

Main Plate

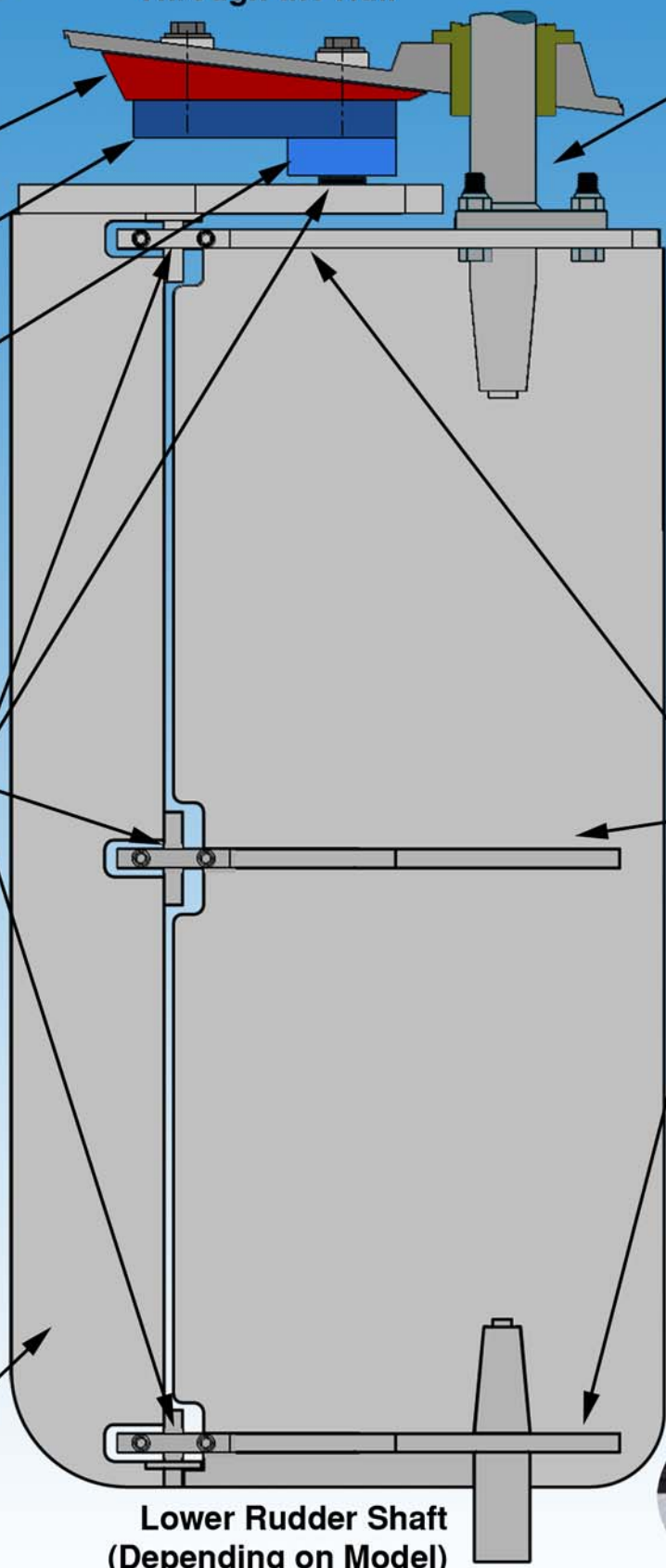
Replaceable Rugged Delrin Bushings for Extended Service Life

Structural Support Fences

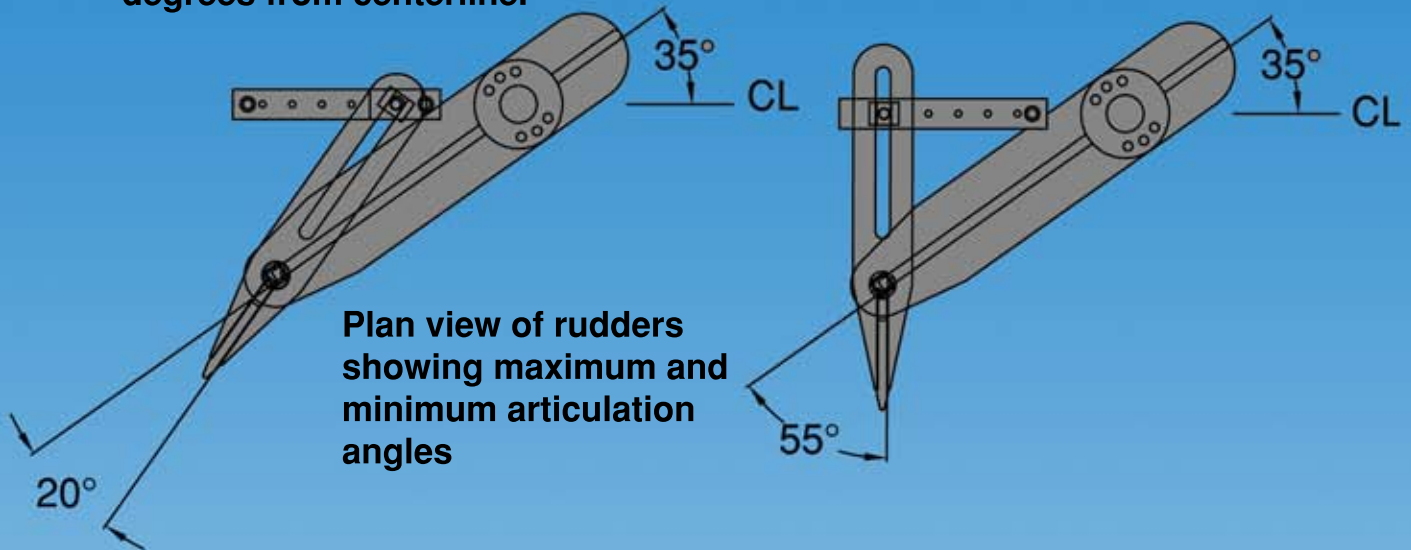
Custom Bottom Bearing and Keel Steel Supplied by BEI for a 1927 Lake Washington Dream Boat

Articulating Aft Plate

Lower Rudder Shaft (Depending on Model)



Rudder articulation is adjustable, resulting in articulation angles from a minimum of 20 to a maximum 55 degrees when the rudder is over at 35 degrees from centerline.



The Bayview Engineering Industries Articulating Rudder is designed to be both durable and versatile. Parts are designed utilizing the latest 3 dimensional design software and are CNC cut and machined to exacting standards. The rudder is welded in your choice of heavy grade marine metals.

39 Mainship Trawler with Free Hanging Articulating Rudder



1927 Lake Union Dream Boat Lower Journal Articulating Rudder





At Bayview Engineering Industries we are dedicated to producing the highest quality products. This commitment extends to the installer that we work closely with providing technical support as they install our products, insuring that our products are installed correctly and in a timely and efficient manner.

We would like to recognize and thank the following installers, builders and dealers on this ever growing list.

This list is continually being updated please contact BEI for the most current list.

**Wilde Yacht Sales (Essex, CT)
New World Expedition Yachts (Fort Lauderdale, FL)
Miracle Marine (Niceville, FL)
Whiticar Boat Works (Stuart, FL.)
Rentner Marine Service (Chicago, IL.)
Pier 11 Marina (Chicago, IL.)
Merri-Mar Yacht Basin (Newburyport, MA)
Washburn's Boat Yard (Solomons, MD.)
Mainship Trawlers (Millville, NJ)
The Great Lakes Group (Cleveland, Oh)
All Points Marine (Narragansett, RI.)
Deltaville Yachting Center (Deltaville, VA)
Zimmerman Marine (Cardinal, VA.)
American Expedition Yachts (Anacortes, WA.)
Cap Sante Marine (Anacortes, WA.)
Marine Service Center (Anacortes, WA.)
North Harbor Diesel (Anacortes, WA.)
North West Trawlers (Anacortes, WA.)
Nordic Tugs (Burlington, WA.)
La Conner Maritime (La Conner, WA.)
Townsend Bay Marine (Port Townsend, WA.)
Delta Marine (Seattle, WA.)
Selene Yacht Service (Seattle, WA.)
Selene Trawler (China)**

**Bayview Engineering Industries
618 Oak Street, Unit C
Oak Harbor WA 98277**



**Phone 360-421-2126
sales@bayviewengineeringind.com
www.bayviewengineeringind.com**